

D3606 Application Column

cat.# 83606 (2 column set)

Before starting:

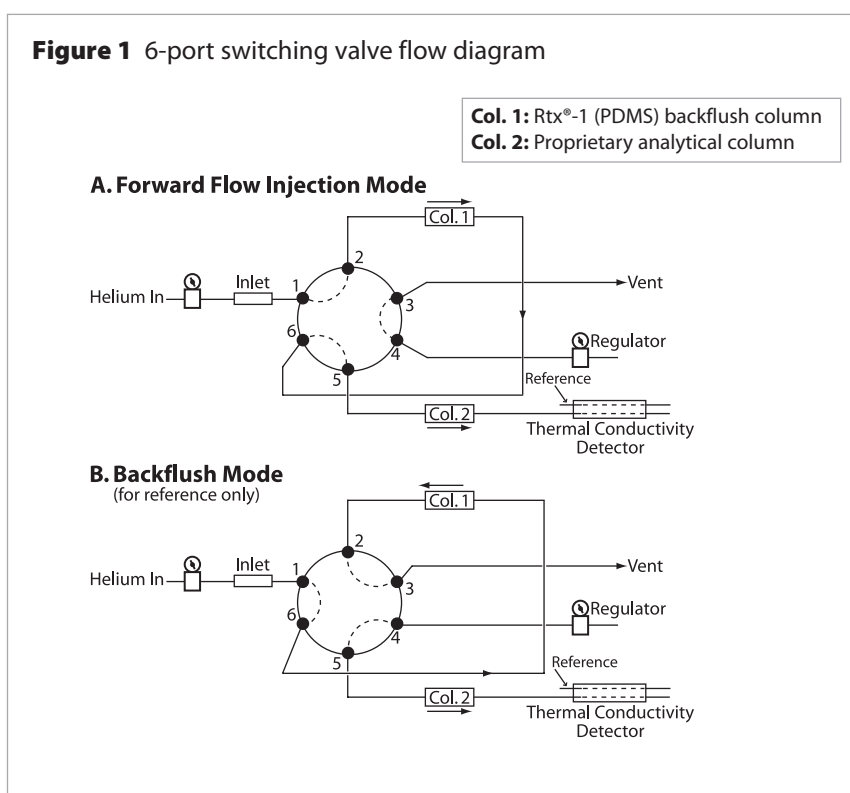
1. It is critical that the columns are oriented correctly. Verify correct orientation prior to installation using the small metal tag marked "inlet" located at the inlet end of each column. The inlet of Column 1 must be connected to the injector. The inlet of Column 2 must be connected to the switching valve.
2. To obtain optimal oxygenate peak symmetry, a deactivated glass liner must be used in the injector. Also, use a deactivated transfer line between the injector and Column 1. This is critical for accurate quantitation of benzene.
3. If using an auxiliary column oven, verify that the actual oven temperature is 135 °C using a separate temperature measuring device.

Maximum column temperature: 165 °C

Installation (Figure 1):

1. Connect the inlet of Column 1 (PDMS column) to the appropriate injector connection using metal, Vespel®/graphite, or graphite ferrules. Connect the exit end to the switching valve using the manufacturer-recommended ferrule. Tighten according to manufacturer specifications.
2. Connect the inlet of Column 2 to the switching valve using the manufacturer-recommended ferrules and tighten to manufacturer specifications.
3. Connect the exit end of Column 2 to the detector.
4. Turn on the carrier gas and adjust the flow rate to 20 mL/min. to purge, at ambient temperature, any air trapped in the columns or system. Using an electronic leak detector, check all column and valve fittings for leaks. In addition, check all external fittings downstream of the carrier gas purifiers up to and including the connection to the GC for leaks. Oxygen and/or moisture will shorten the longevity of the column set.
5. After a 10-minute purge, elevate the oven temperature to 165 °C. Allow the column to condition for approximately 30 minutes.
6. After the brief conditioning period, lower the oven temperature to 135 °C and verify that the flow rate is still 20 mL/min. using a flow meter (e.g., Restek ProFlow 6000, cat.# 22656).
7. The column set is now ready for use. Run an analysis and compare the results to the supplied chromatogram.

Figure 1 6-port switching valve flow diagram



**Call Technical Service at 800-356-1688 or 814-353-1300, ext. 4 (or your Restek representative)
if you have any questions about this product or any other Restek product.**

RESTEK
Innovative Chromatography Products

© 2011 Restek Corporation

ISO 9001:2008 cert.# FM80397 #620-02-006 Rev. date: 01/11

Restek U.S. • 110 Benner Circle • Bellefonte, PA 16823
phone: 814-353-1300 • 800-356-1688 • fax: 814-353-1309 • www.restek.com

Restek France • phone: +33 (0)1 60 78 32 10 • fax: +33 (0)1 60 78 70 90 • e-mail: restek@restekfrance.fr

Restek GmbH • phone: +49 (0)6172 2797 0 • fax: +49 (0)6172 2797 77 • e-mail: info@restekgmbh.de

Restek Ireland • phone: +44 (0)2890 814576 • fax: +44 (0)2890 814576 • e-mail: restekeurope@aol.com

Restek Japan • phone: +81 (3)6459 0025 • fax: +81 (3)6459 0025 • e-mail: ryosei.kanaguchi@restek.com

Thames Restek U.K. LTD • phone: +44 (0)1494 563377 • fax: +44 (0)1494 564990 • e-mail: sales@thamesrestek.co.uk